

USER MANUAL

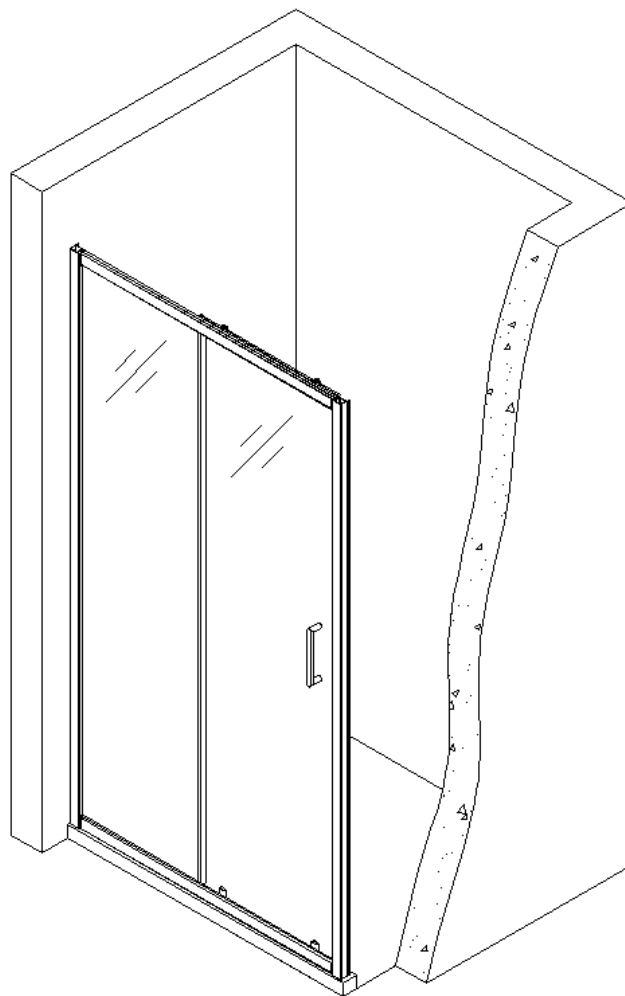


Thank you for choosing Better Bathrooms.
Please read this manual before installing your product
and keep for future reference.

**better
bathrooms**

Carina 6mm Sliding door

BeBa_28027/BeBa_28028/BeBa_28029/BeBa_28030
/BeBa_28031/BeBa_28032/BeBa_28033



- **Multi-person assembly**
- **Tools required**
- **We always recommend using professional tradespeople to install your product**

2021.8.23

And welcome to our growing gang of savvy shoppers

We're on a mission to bring you extraordinary bathroom products, for less. From modern to traditional style ceramics, plus the gorgeous fixtures, fittings and furniture to match. So, you can fall in love with your space every single day.

As one of the UK's largest independent bathroom stores, we've received countless awards; including the National Business Awards UK, the Digital Entrepreneur Awards and being placed on The Sunday Times Fast Track 100.

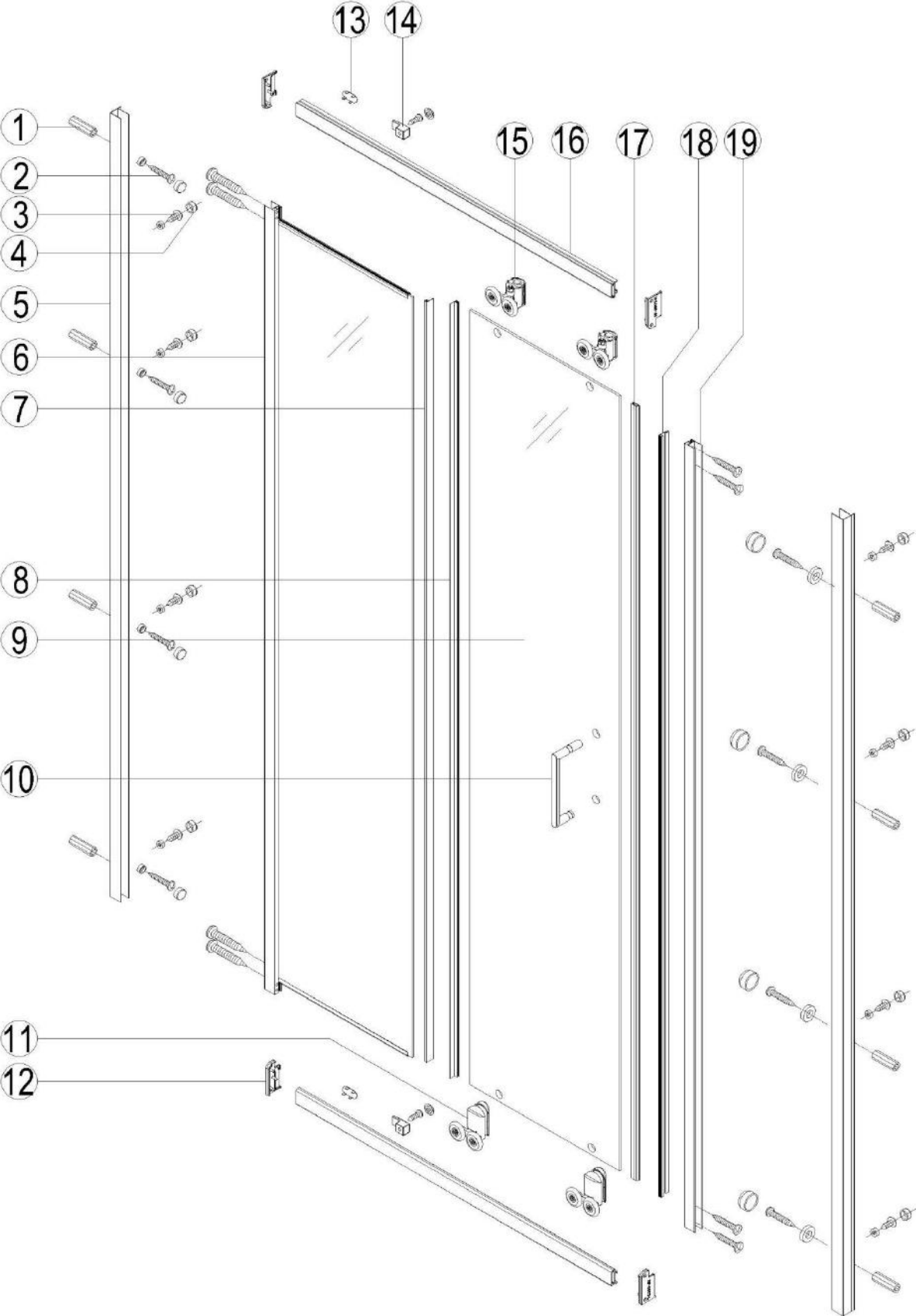
We hope your new product goes above and beyond your expectations. However, should any problems occur, please:

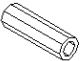


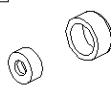
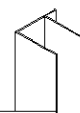

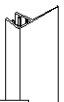

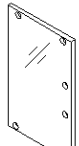

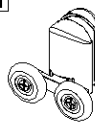
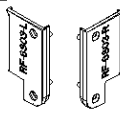


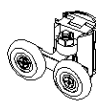
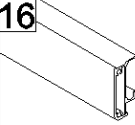
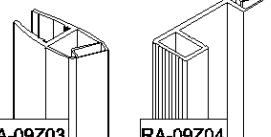

- log in to your account and contact our customer services team via your self-serve portal –betterbathrooms.com/Account/Login
- contact us via betterbathrooms.com/content/contact-us

Important information

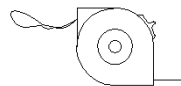
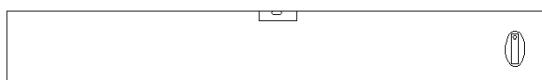
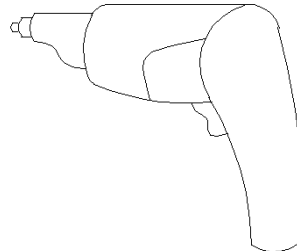
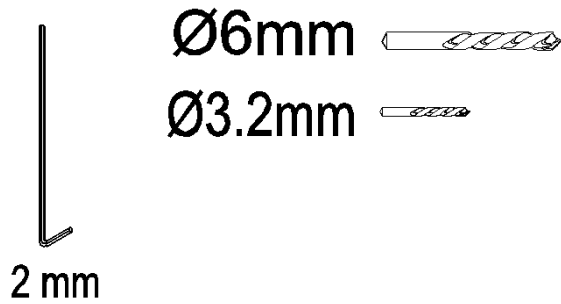
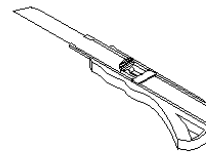
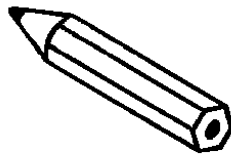
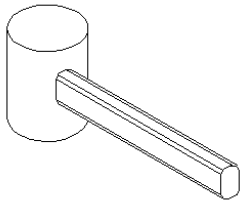
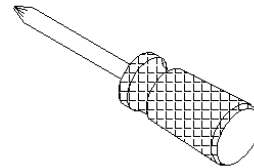
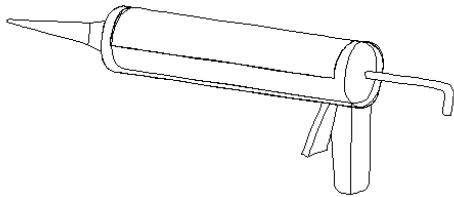
- Please read these instructions thoroughly and retain for future reference
- Manufactured to BS EN 14428
- Please check for pipes and cables before drilling
- Please check for damage prior to installation

Parts / Diagrams

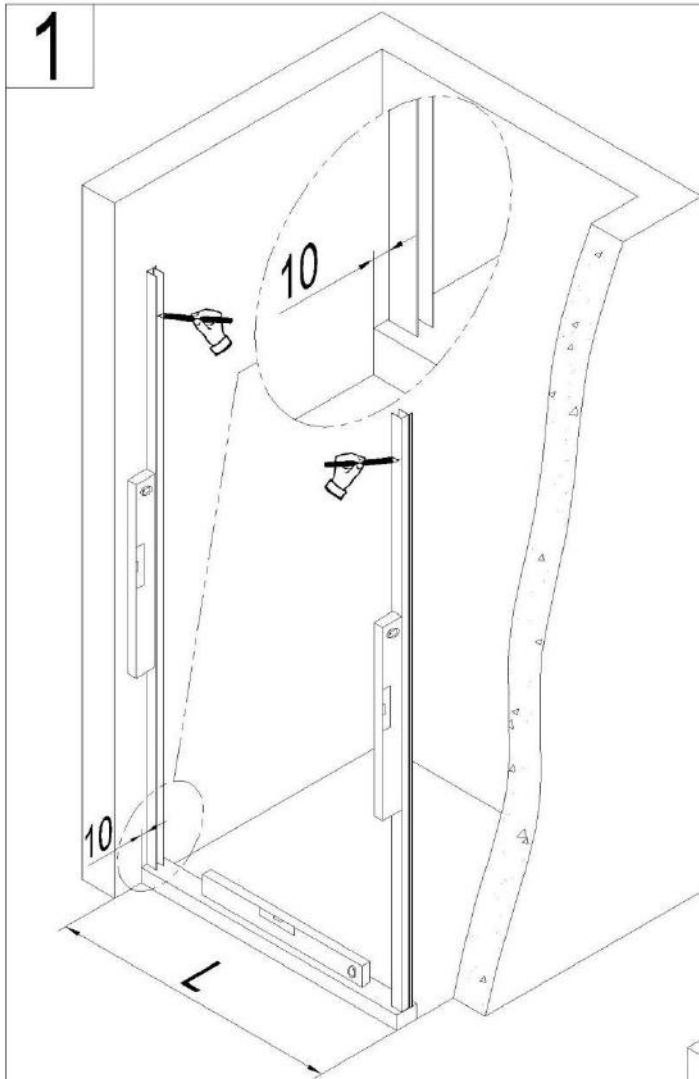


1  D6x30 8Pcs	2  ST4X30 16Pcs	3  ST4X12 10Pcs	4  RA-09Y07 16Pcs	5  RA-09W02 2Pcs	6  1Pc	7 1810mm  RA-09Z02 1Pc
8 1872mm  RA-09Z02 1Pc	9  1Pc	10  RA-09X01 1Pc	11  RA-09X02 2Pcs	12  RA-09Y03 2Pairs	13  RA-09Y05 2Pcs	14  RA-09Y02 2Pcs
15  RA-09X03 2Pcs	16  2Pcs	17 + 18  RA-09Z03 RA-09Z04 1Pair		19  RA-09W03 1Pc		

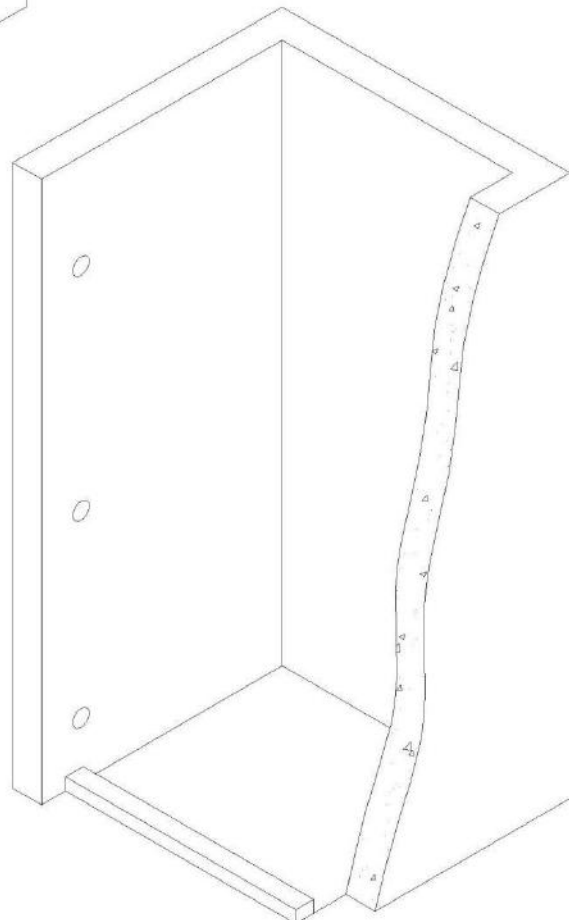
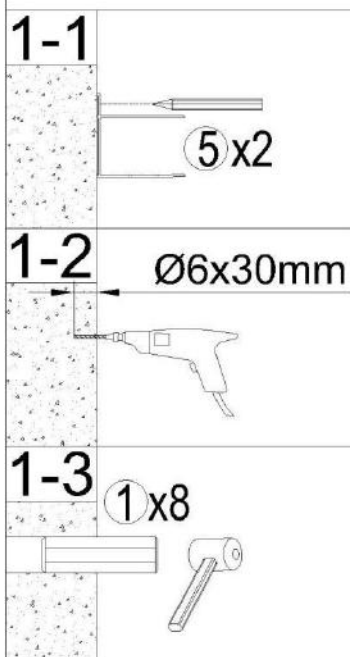
Tools required (Tools not provided)



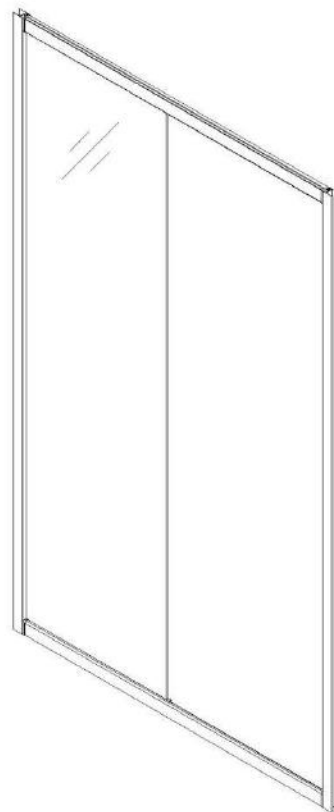
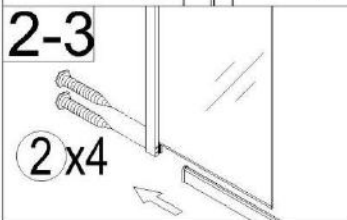
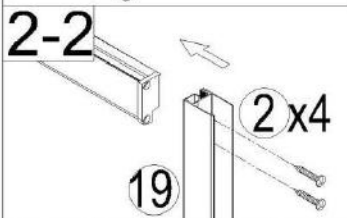
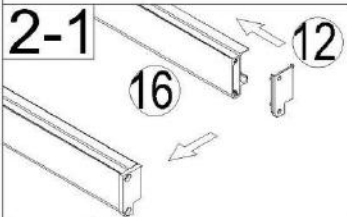
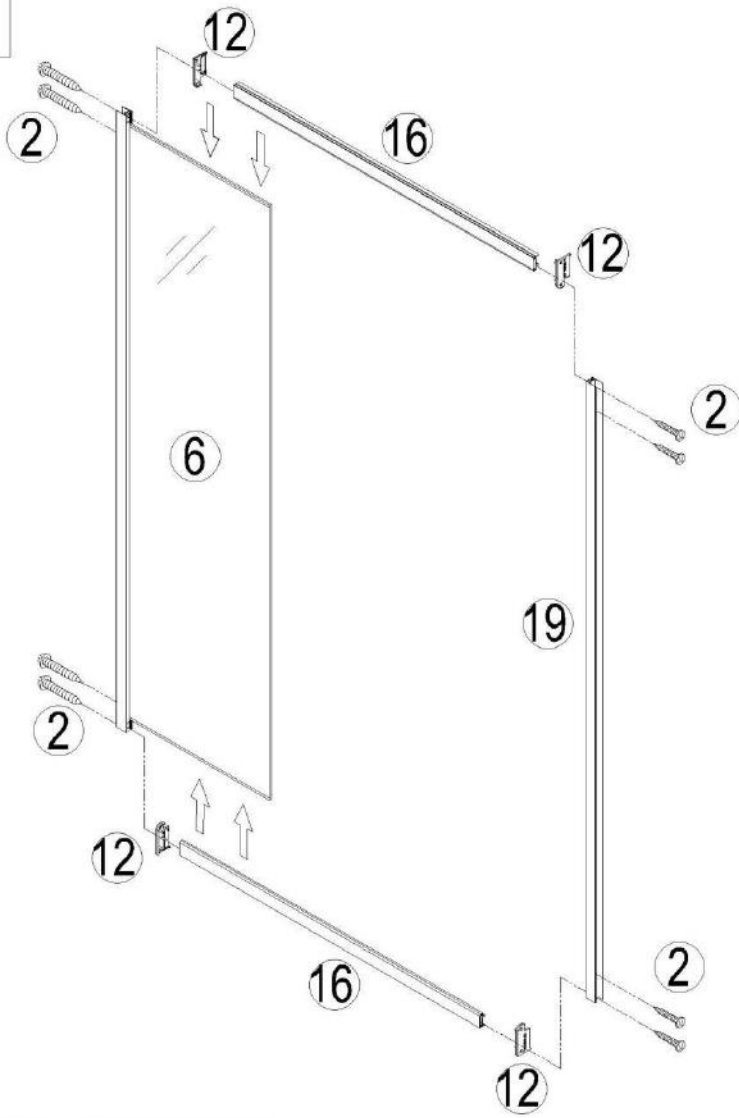
Installation



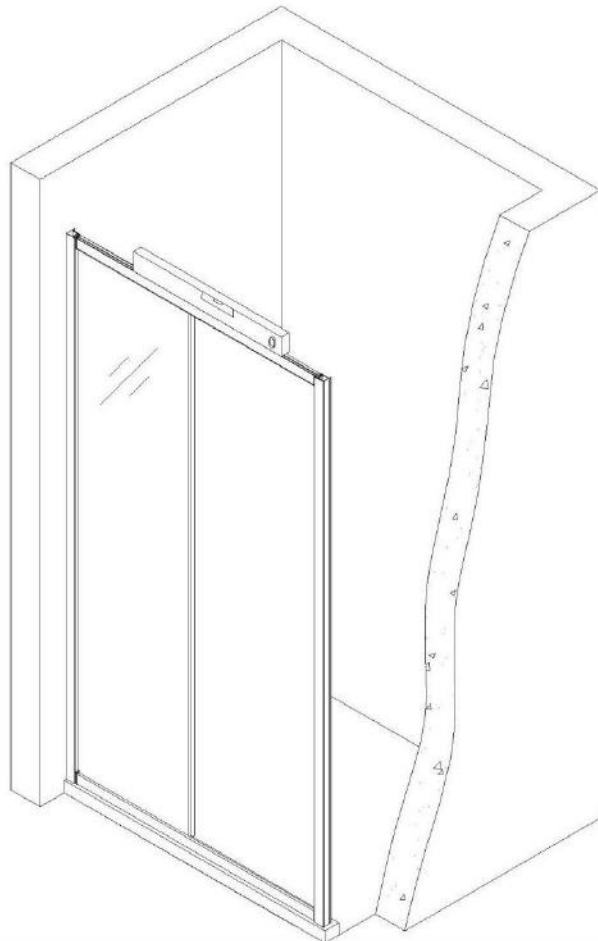
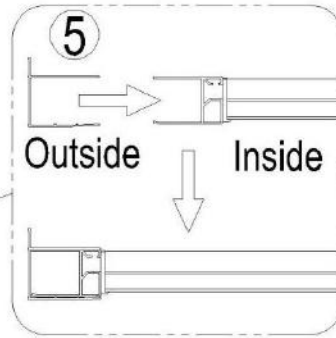
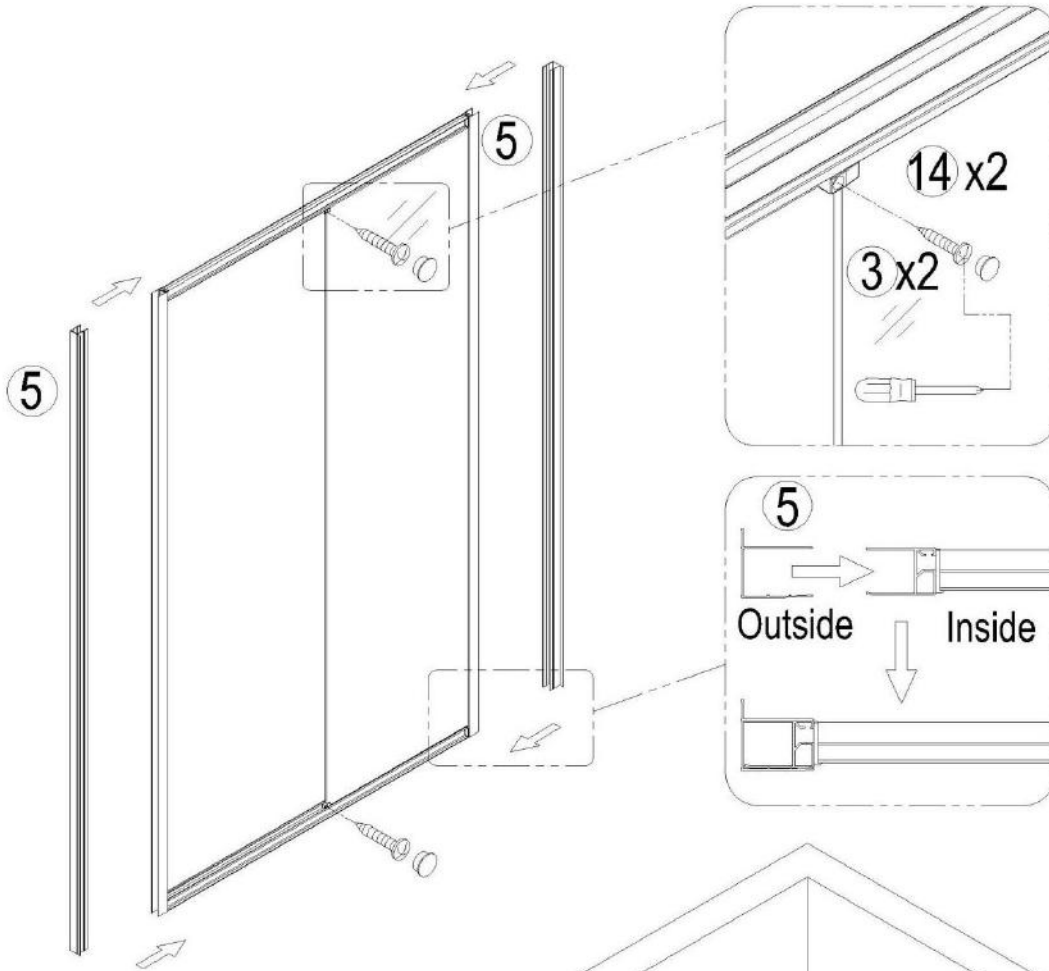
	L
1000	950-990
1100	1050-1090
1200	1150-1190
1400	1350-1390
1500	1450-1490
1600	1550-1590
1700	1650-1690



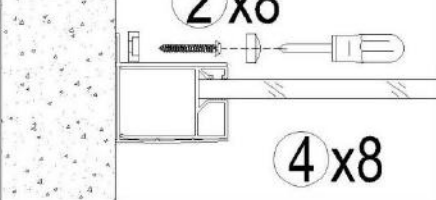
2



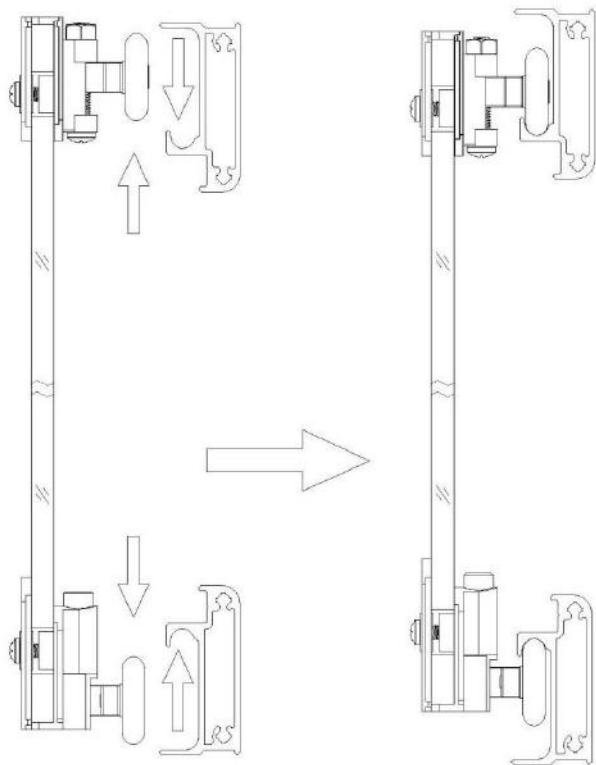
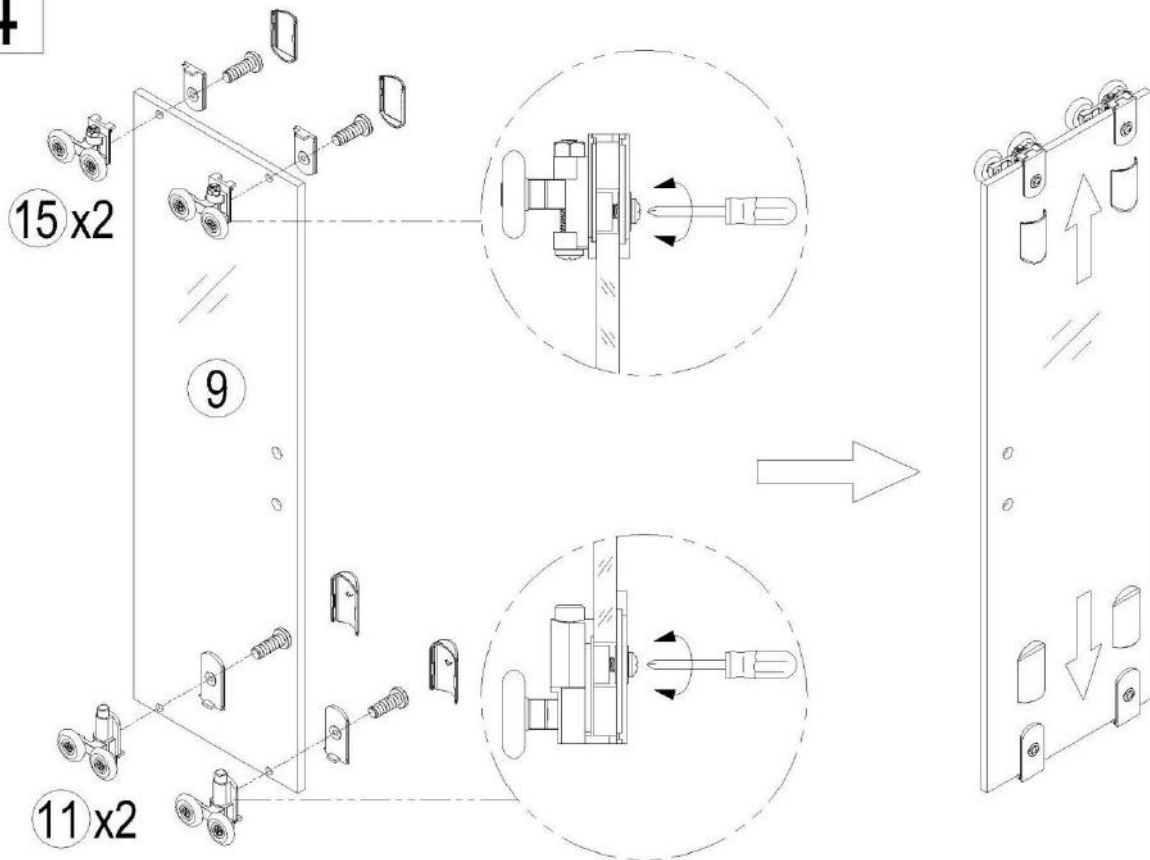
3



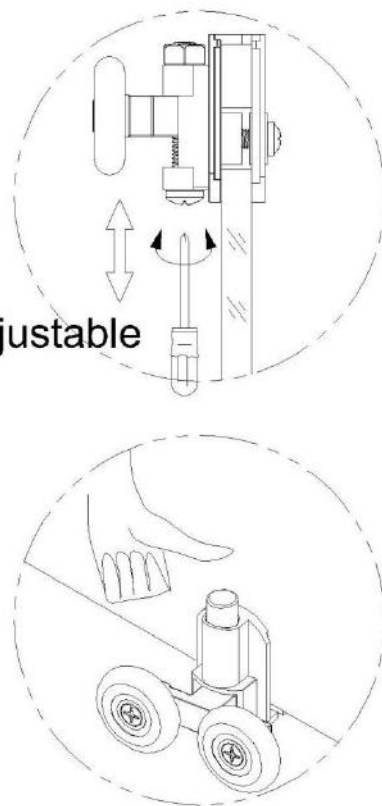
3-1



4



Adjustable

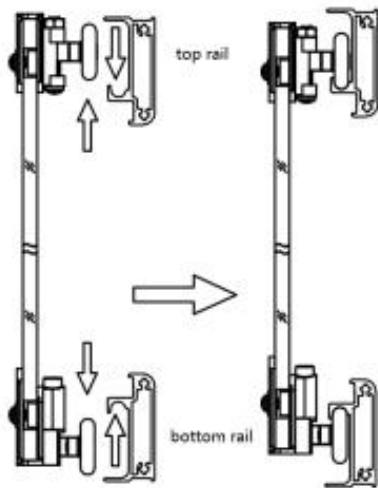


Important:

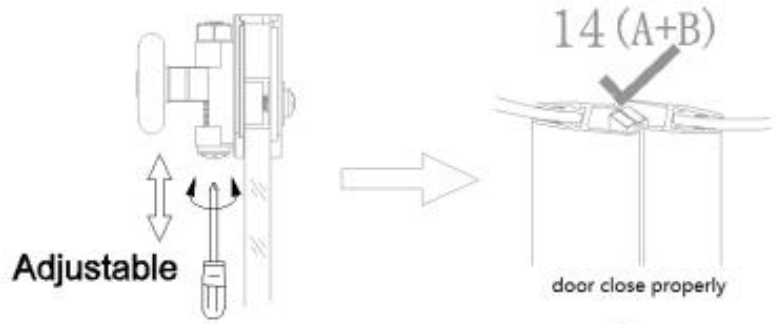
Step A: Locate the rollers into the top and bottom rails

Step B: Please adjust the top roller up and down with the screw shown below using a screwdriver

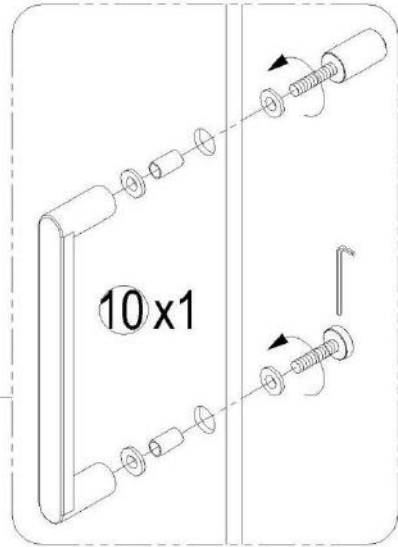
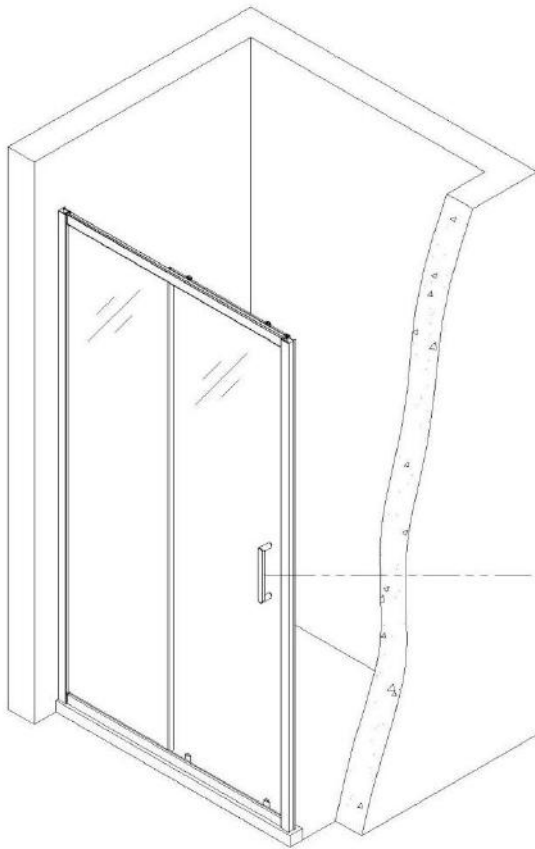
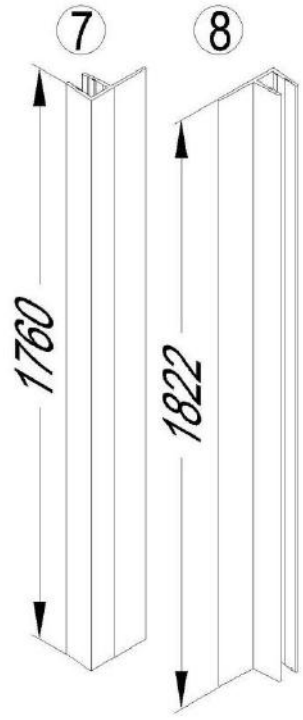
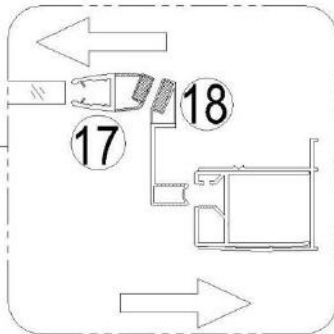
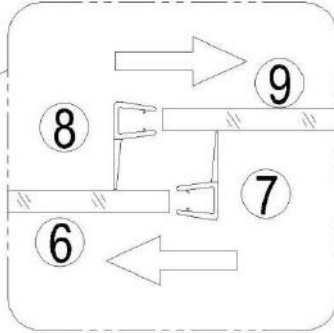
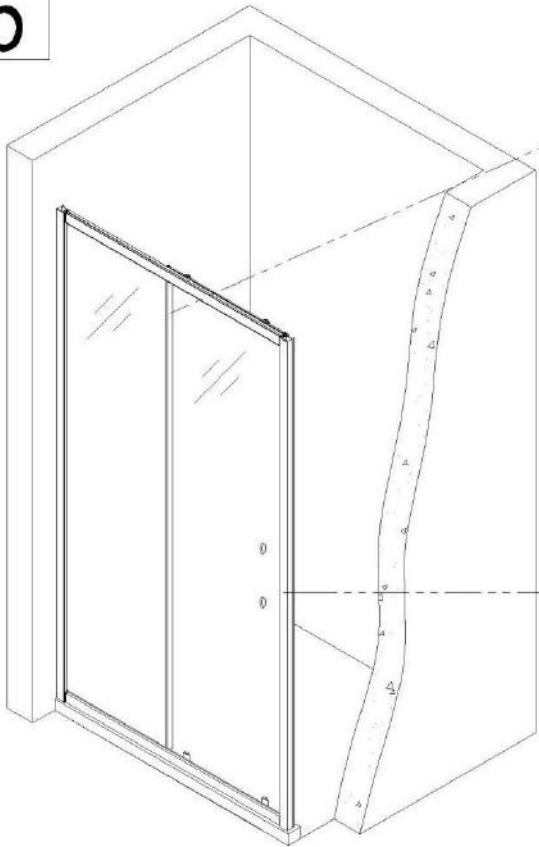
step A:



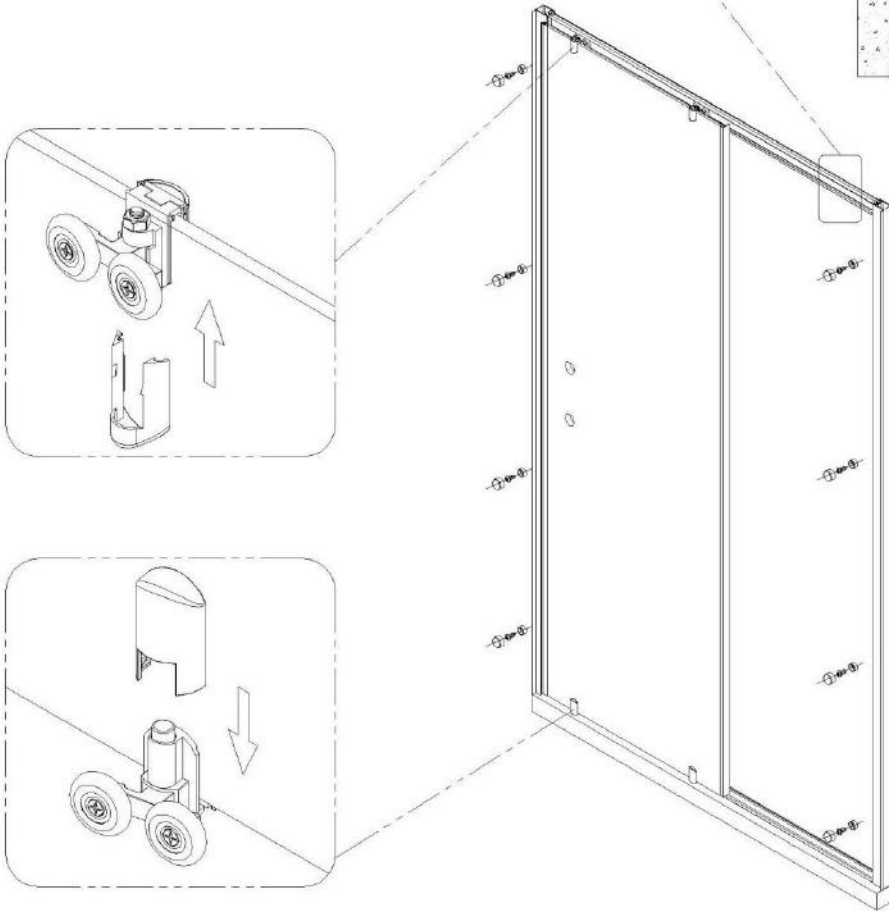
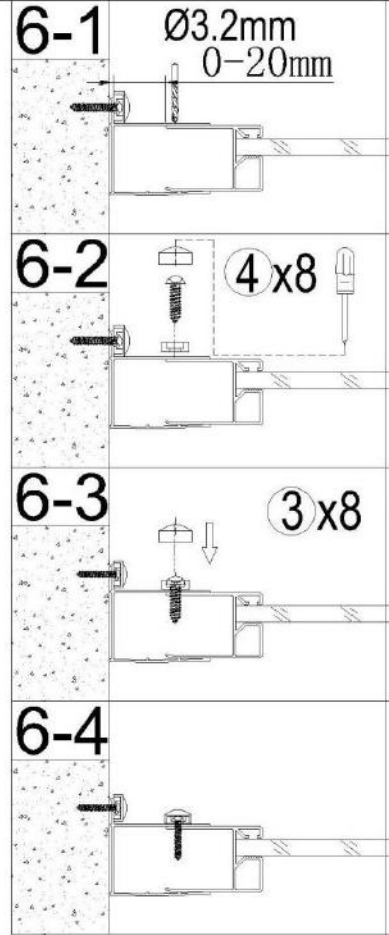
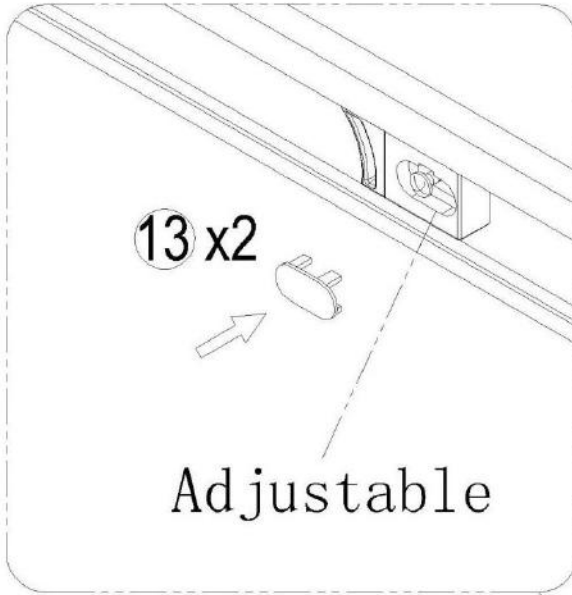
step B:



5



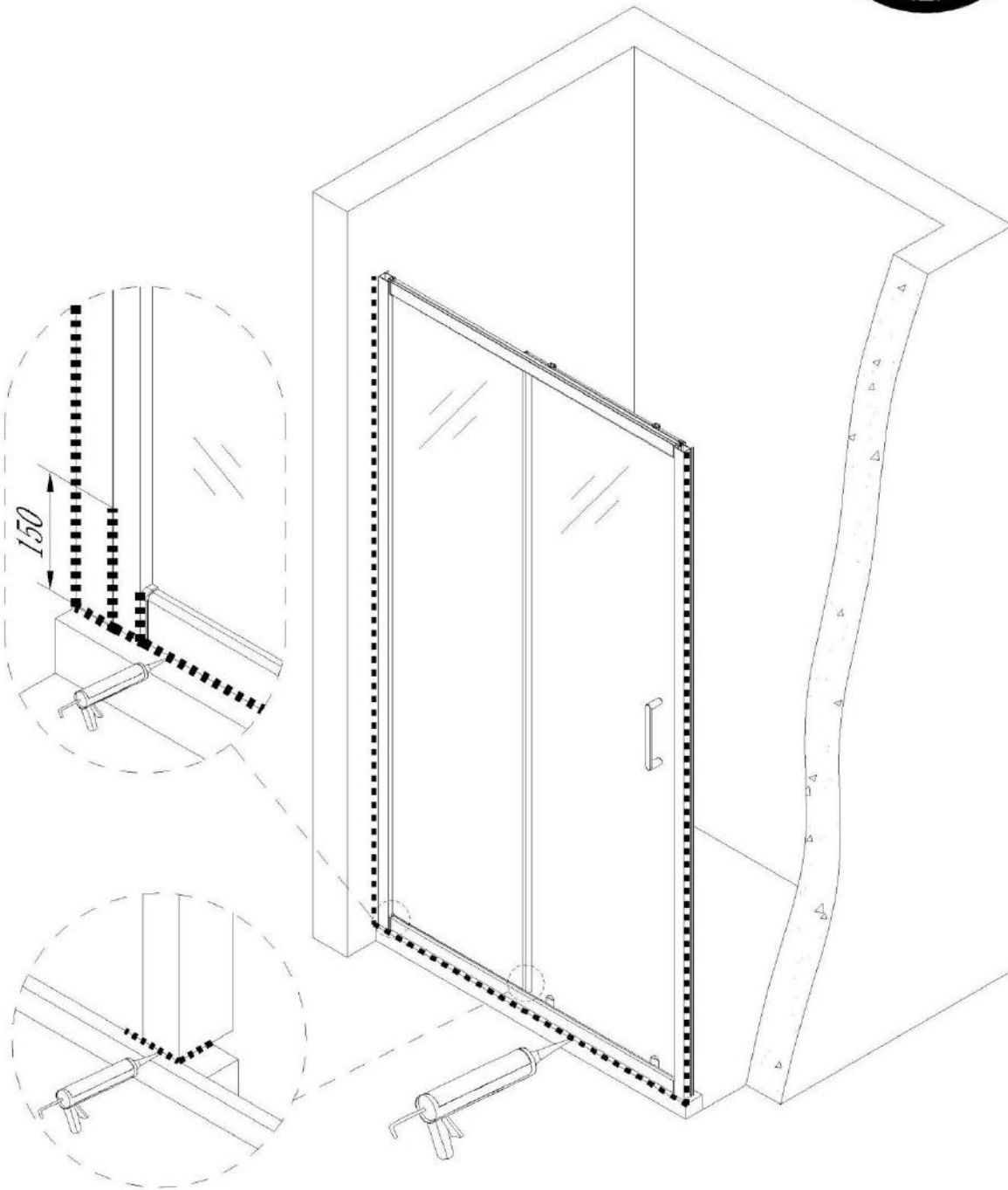
6



7

Care Instructions:

Do not use your shower enclosure within 24 hours of assembly .
Do not use caustic cleaning products or abrasive material when cleaning your shower enclosure.



Cleaning

All parts of the product shall be cleaned with a cloth soaked in neutral detergent soapy water, Please do not use sharp tools such as blades to clean the shower door.

Please do not use strong detergent, alcohol or any abrasive cleaning substances to clean the shower door if the stain is serious, a low concentration of vinegar can be used, but must be rinsed with clean water afterwards.

For more information

- visit betterbathrooms.com
- email customerservices@buyitdirect.co.uk
- call **0330 390 3062**
- write to Trident Business Park, Neptune Way, Huddersfield, HD2 1UA

better 
bathrooms

Part of the BuyItDirect Group